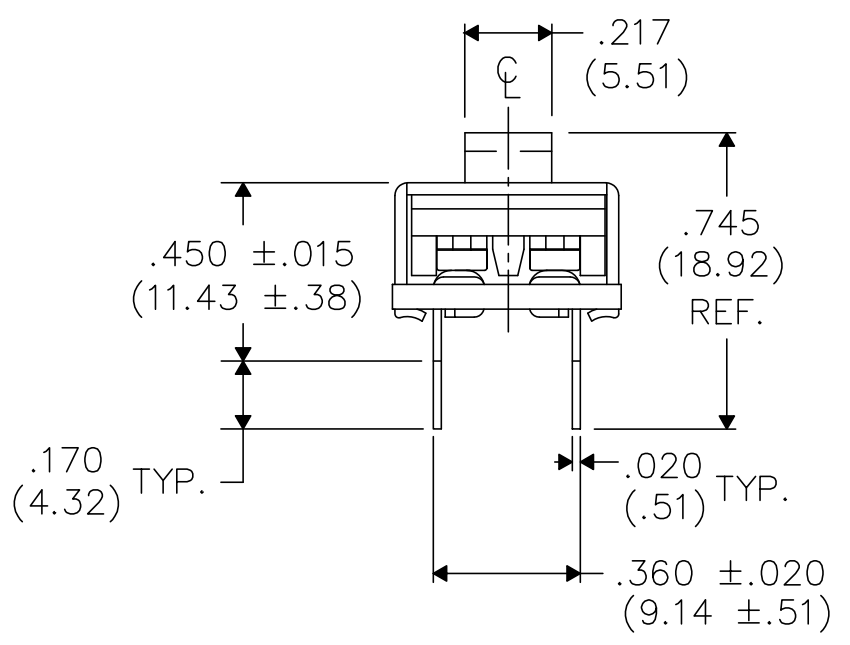
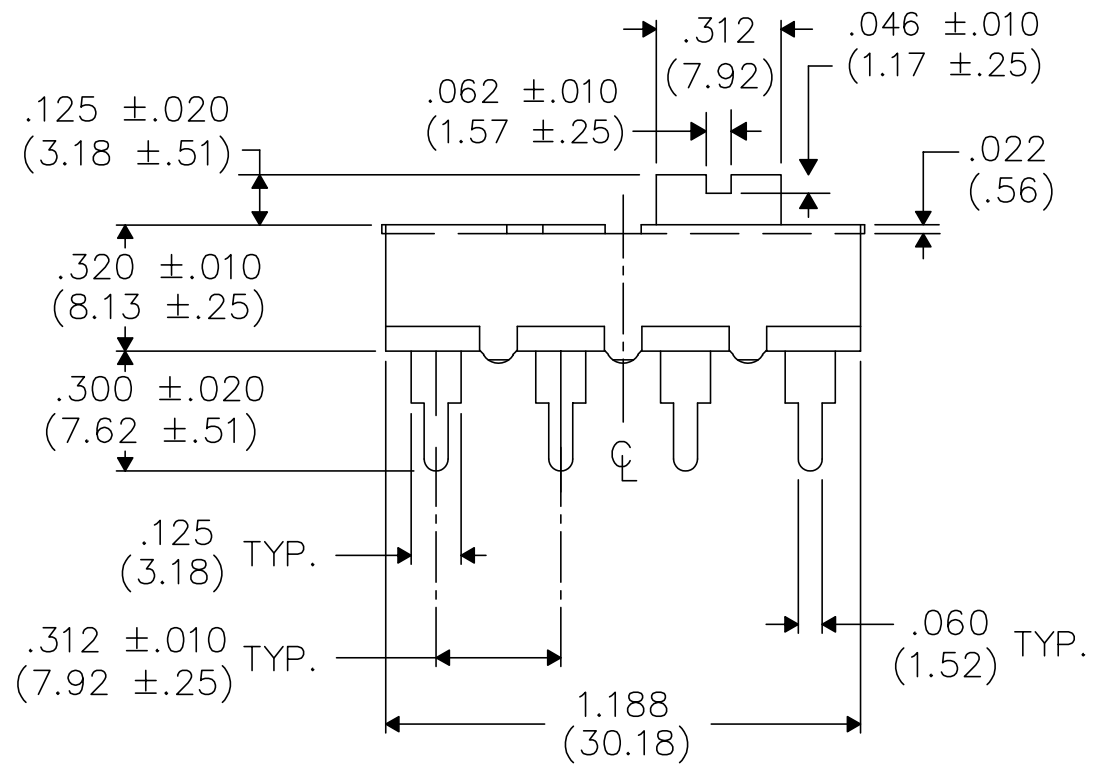
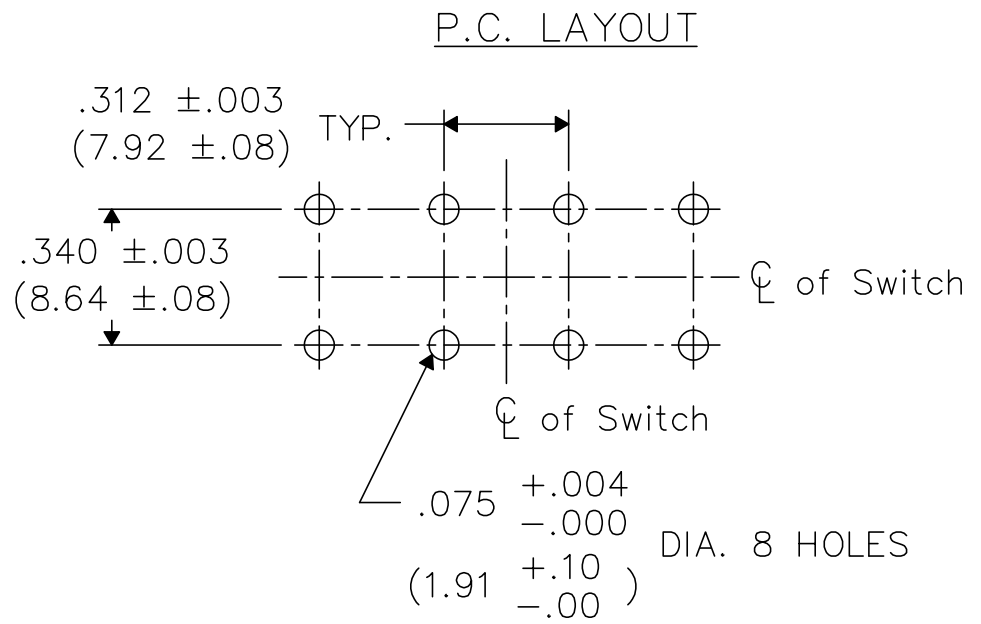
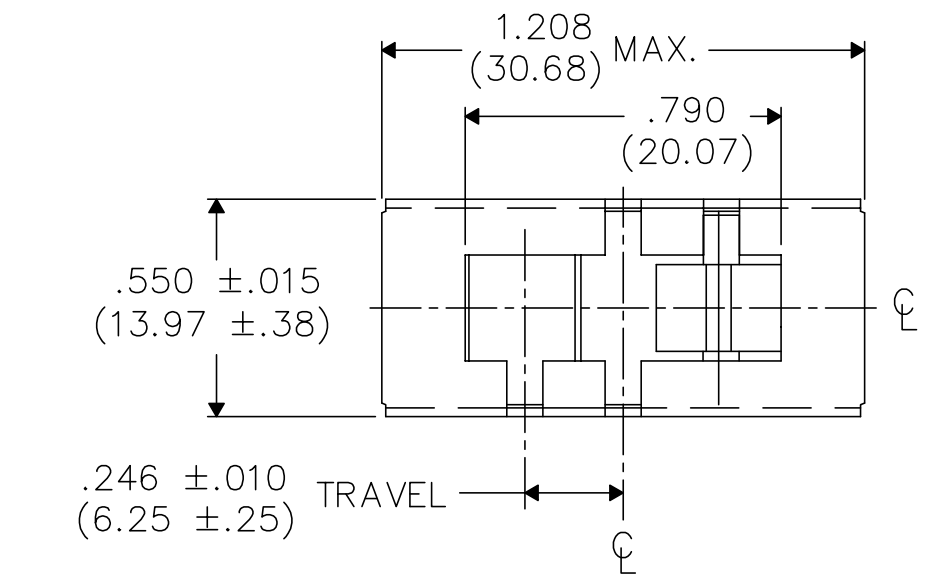


DIMENSIONS IN INCHES (MILLIMETERS)
DO NOT SCALE DRAWING

Dwg. No.
G-1328S-0031



1	2	3	4	5	6	7	8	9	10
---	---	---	---	---	---	---	---	---	----

FORM-B4
REVISIONS
0
RELEASED.
DGW 8-07-2002
8-09-2002

CW INDUSTRIES
Southampton, Pa. 18966

TOLERANCES UNLESS OTHERWISE SPECIFIED

2 Place Decimal ±.010	METRIC
3 Place Decimal ±.005	1 Place Dec. ±.25mm
Angles ±1°	2 Place Dec. ±.13mm

Made for: CW IND.
Drawn by: DGW 8-07-2002
Checked by: GG 8-09-02
Approval: BF 8-09-02

Title: SWITCH
SLOT BUTTON
D.P.- 3 POS.

Division: SWITCH

Dwg. No.
G-1328S-0031